



18 ports Industrial Full Gigabit Layer-3 Managed Switch BI816GM2F series

❖ Overview

BI916GM2F is an 18-port full gigabit industrial Layer-3 managed switch that supports up to 16*10/100/1000M downlink RJ45 ports, 2* 1000M SFP ports.

It supports L3 management, such as OSPF, RIP, QoS, VLAN, MSTP, Multi-broadcast, ports management.

It supports 6KV surge protection, 8KV contact/15KV air ESD protection.

It supports wall hanging, desktop and Din-rail installation, reliable and durable, and can be used in security network video monitoring, network engineering and other occasions.

❖ Pictures



❖ Features

- ❖ With 16*10/100/1000M downlink RJ45 ports, 2*1000M SFP ports;
- ❖ Support L3 management, such as OSPF, RIP, QoS, VLAN, MSTP, Multi-broadcast, ports management;
- ❖ 6KV surge protection, 8KV contact /15KV air ESD protection;
- ❖ Support working temperature $-40^{\circ}\text{C} \sim 75^{\circ}\text{C}$.



18 ports Industrial Full Gigabit Layer-3 Managed Switch BI816GM2F series

❖ Specifications

Parameter	Specifications
Power supply	Powered by power adaptor
Range of voltage	2*DC 12~60V
Consumption	Self-consumption<20W
Downlink ports	10/100/1000Base-T RJ45
Uplink ports	Ports 9~10 1000Base-X SFP
Cable and distance	Use cat5e/6,100m max
Standard	IEEE802.3, IEEE802.3u, IEEE802.3z
Switch fabric	36Gbps
Though put	26.78Mpps
Buffer	4M
MAC address table	16K
Indicator	Power: 2 *red ; Uplink 9~10: Green LEDs indicate Link/Act Downlink 1~8: On RJ45 green LEDs indicate Link/Act
Protection	Surge: 6KV, standard: IEC61000-4-5 ESD: 8KV: contact/15KV: air, standard:IEC61000-4-2
Working temperature	-40℃~75℃
Storage temperature	-40℃~85℃
Humidity	0~95%(No condensation)
Dimension(L×W×H)	165 mm×115 mm×50mm
Material	Metal
Color	Black
Net-weight	530g

Software:

L2 Features	Port configuration	Auto-negotiation
		Flow Control
		Port Mirror
		Traffic statistics



18 ports Industrial Full Gigabit Layer-3 Managed Switch BI816GM2F series

L2 Features	Link Aggregation	Static link aggregation
		LACP
		Algorithm based on Source/Destination MAC
		Algorithm based on Source/Destination IP
		8 groups
		8 ports per group
	MAC Table	Aging Time
		Static MAC address
		Dynamic MAC address management
	VLAN	4K Active VLANs
		4K VID
		802.1Q Tag VLAN
		Port VLAN
		Protocol VLAN
		MAC VLAN
		Management VLAN
		Voice VLAN
		Q-in-Q
		Private VLAN
		GARP/GVRP
		ACL
	L2, L3 e L4	
	Time-based ACL	
	Spanning tree	802.1D Spanning Tree Protocol (STP)
		802.1w Rapid Spanning Tree Protocol (RSTP)
		802.1s Multiple Spanning Tree Protocol (MSTP)
		Loop Guard
		Root Guard
TC-BPDU Guard		
BPDU Guard		
BPDU Filter		



18 ports Industrial Full Gigabit Layer-3 Managed Switch BI816GM2F series

L2 Features	Multicast	256 groups
		IGMP v1/v2/v3
		Fast Leave
		Multicast VLAN
		Static Multicast
		Multicast Filter
		IGMP Statistics
		MLD Snooping
	QOS	4 priority queues
		CoS port-based
		CoS 802.1p-based
		CoS DSCP-based
		Scheduling algorithms SP, WRR, SP+WRR
		Storm Control (Broadcast, Multicast, Unknown Unicast)
Bandwidth control per port		
Security Features	Port Security	
	MAC address filter	
	ARP Association (Manual, ARP scanning, DHCP snooping) up to 200 entries	
	ARP Protection	
	DoS (Denial of Service)	
	Classification of packages based on: End.MAC, IP End, TCP / UDP Ports, Protocol Type	
	802.1x Authentication (port-based e MAC-based)	
	TACACS/TACACS+ Authentication	
	RADIUS Authentication	
	DHCP Filter	
	Guest VLAN	
	SSLv2/SSLv3/TLSv1	
	SSHv1/SSHv2	
	Restriction of WEB access based on: IP Address, And. MAC and Port	
	Port Isolation	
	Local User Name Password Authentication (2 levels)	
Loopback detection		



18 ports Industrial Full Gigabit Layer-3 Managed Switch BI816GM2F series

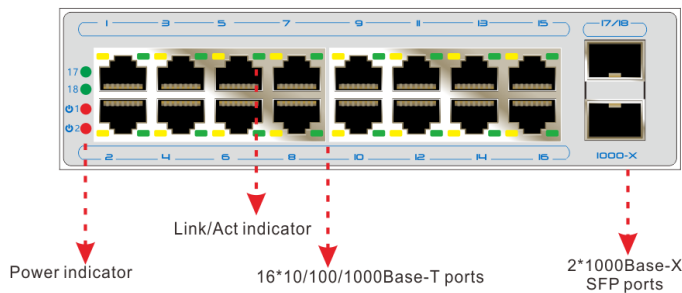
Management	SNMP v1/v2c/v3
	RMON 4 groups
	WEB (HTTP/HTTPS)
	CLI (Telnet, Console, SSHv1/v2)
	Firmware upgrade via console/web/TFTP
	Configuration Backup/Reload
	All possible configurations in the CLI must exist in the WEB interface
	LLDP
Other Features	DHCP Relay
	DHCP Client
	DHCP Snooping
	DHCP Option 82
	SNTP Client
	BOOTP Client
Maintenance	Ping and Tracert
	System log (Local and Remote)
	Memory and CPU Monitoring
L3 Features	Static Routing
	OSPFv2
	RIPv1/v2
	DHCP Server
IPV6	IPv6 neighbor discovery (ND)
	Path maximum transmission unit (MTU) discovery
	Internet Control Message Protocol (ICMP) version 6
	TCPv6/UDPv6
	Ping6
	Tracert6
	Telnet(v6)
	Http/Https
	IPv6 TFTP
	Static Routing
	Interface IPV6



18 ports Industrial Full Gigabit Layer-3 Managed Switch BI816GM2F series

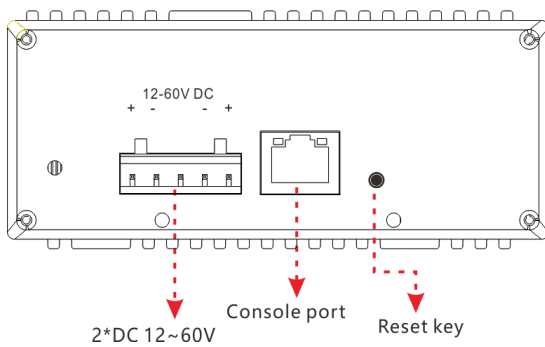
❖ Panel diagram

● Front panel

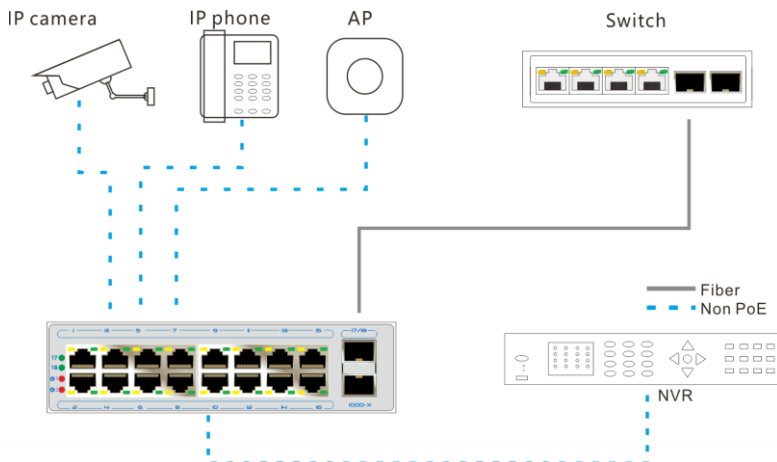


⚠ **Attention 1:** This product must be well grounded against lightning, please use better than 20# cable to connect the grounding terminal and ground.

● Left panel



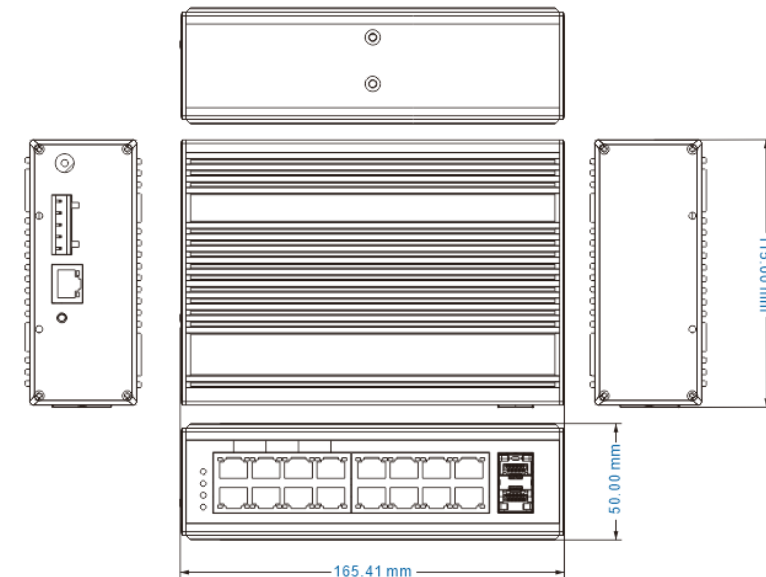
❖ Application





18 ports Industrial Full Gigabit Layer-3 Managed Switch BI816GM2F series

❖ Dimensions



❖ Order information

Model	Description
BI916GM2F	16*10/100/1000M RJ45 ports, 2*1000M SFP ports; 2*12~60VDC; Support L3 management, such as OSPF, RIP, QoS, VLAN, MSTP, Multi-broadcast, ports management; 6KV surge protection, 8KV contact /15KV air ESD protection.

BORN ELECTRONICS LIMITED

ADDRESS:

#94A
Goldsmith Avenue
London
United Kingdom
Phone: +4479 1989 8604
Email: info@bornelectronics.com

WARRANTY:

2 YEARS (EXPANDABLE UPTO 4 YEARS)

WEBSITE: <http://bornelectronics.com/>